



**25
GUARANTEE
YEAR**

HELLO FUTURE!

DISCOVERING THE FUTURE OF GREEN
ROOFING



The Best Flexible Roofing Option for Professionals: EverGreen Hybrid Membrane Flexi-GRP

Green Composites are recognised in the roofing market as innovators in advanced liquid roof coatings and specialist GRP waterproofing systems. With the introduction of EverGreen Hybrid Membrane, our Flexible GRP system is now a preferred option for roofing contractors, specifiers and consumers.

Contents

- EverGreen Hybrid Membrane Overview
- EverGreen Hybrid Membrane Product Range
- GRP Application tools & accessories
- GRP Roofing Trims
- Preparation
- Surface Preparation-Overlay
- OSB3 Installation Guide
- Catalyst Addition Chart
- Product Application & Consumption Guides
- GRP Trims Installation Guide
- Frequently Asked Questions

Why EverGreen Hybrid Membrane Flexi-GRP?

* Where existing deck is suitable, please read the full installers guide before commencing work.

Green Composites have developed EverGreen Hybrid Membrane with the professional liquid roofing applicator in mind, speeding up the installation process. EverGreen Hybrid Membrane Flexi-GRP is a liquid system that forms a flexible GRP membrane designed to waterproof new and existing flat roofs without the need to strip and replace the existing deck*.

With the highest fire rated certification onto OSB3. EverGreen Hybrid Membrane has

achieved BS.476 Part

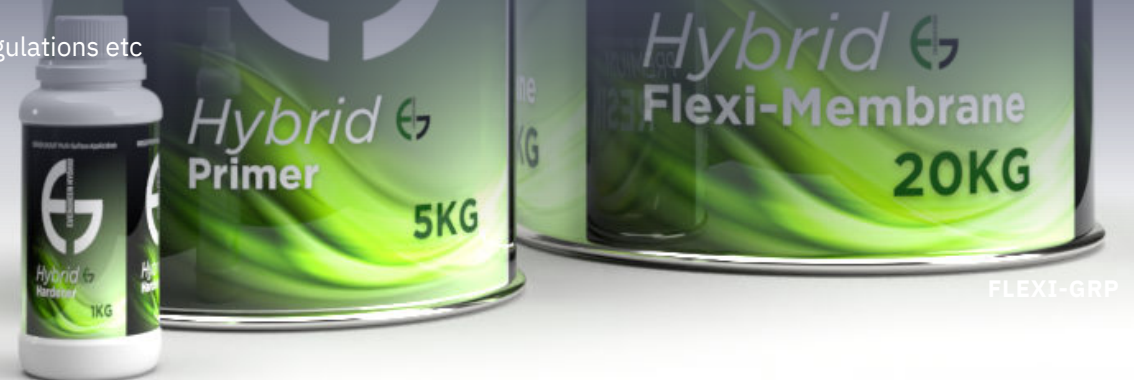
3 - F.A.A. which means it can be used on any domestic/commercial property and meet any building regulations for flat roofs pertaining to fire protection.

You can install EverGreen Hybrid Membrane products with the confidence of knowing you

will receive continued support now and in the future, as we:

- Offer full technical support for our products and installation processes.
- Offer a range guarantees to suit you and your customers.
- Give support on how to specify and install Green Composites roofing systems, and how to

comply to legislative regulations etc



WHAT MAKES EverGreen Hybrid Membrane FLEXI-GRP THE RIGHT CHOICE FOR YOU:

25-year (600g CSM) Materials Guarantee when installed correctly, please contact us for further details of the guarantee conditions.

EverGreen Hybrid Membrane is a single high-performance flexible resin without the need for separate base and topcoat and can be used as a wet on wet system.

Can be applied onto multiple surfaces both new and existing such as Felt, OSB3, GRP, concrete and asphalt.

Quick application and a range of cure times to suit the environment, saving both time and money for you and your customers.

Cold applied, no hot works or open flame risks

Class beating Fire rating. Tested as a Flat Roofing System applied to OSB3 and has achieved both: BS 476-part 3 test:- EXT.F.AA; EN 1187 test 4 – BROOF(t4)

Superior 'wet-out' of resin with fiberglass reinforcement (CSM).

Uses a liquid catalyst system that removes the need for adding other products to speed up or slow down the cure.

EverGreen Hybrid Membrane/TekShield branded ancillaries means you can carry for use on either

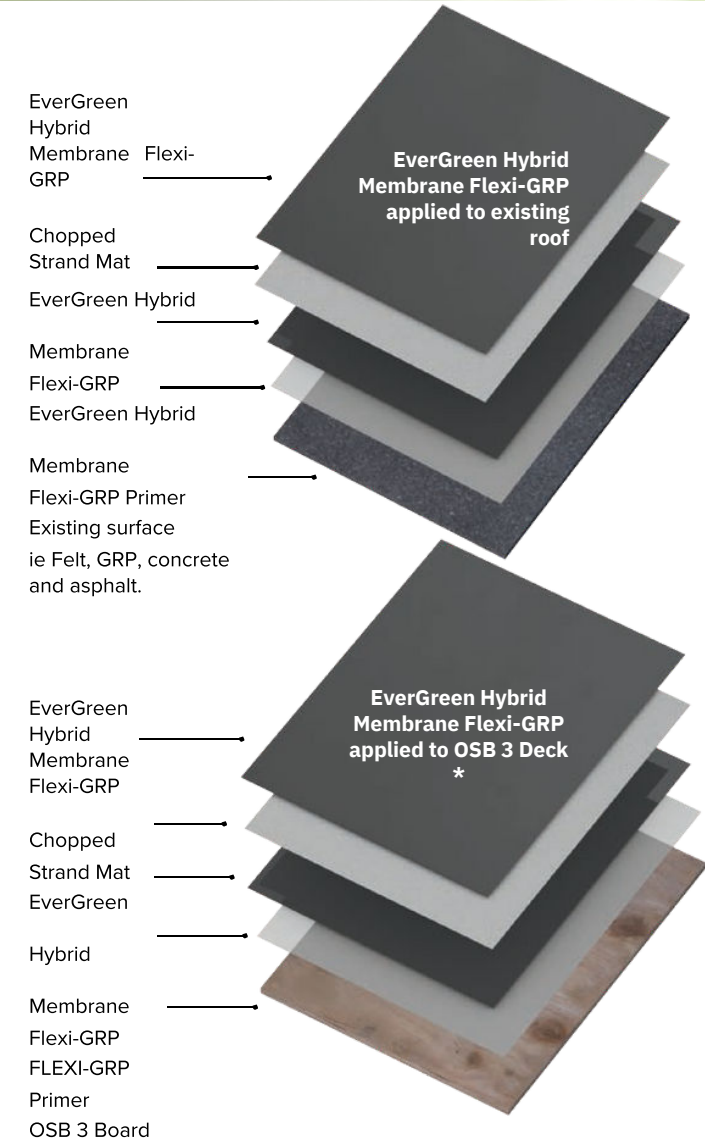
the EverGreen Hybrid Membrane or

Tekshield systems without having to carry different ancillaries such as Catalysts, CSM, tape etc

Reduces the need for full roof replacement where suitable, reducing the environmental impact and cost of waste disposal.

From small to large flat roofs, from refurbishment to new installations. EverGreen Hybrid Membrane offers the flexible choice for you.

* OBS 3 18mm Tongue and groove is the recommended grade for new installations.



EverGreen Hybrid Membrane is a simple and fast liquid system that can be used to make watertight new and existing roofs.

EverGreen Hybrid Membrane FLEXI-GRP PRODUCT RANGE



EverGreen Hybrid Membrane Flexi-GRP

Developed to achieve a consistent curing speed when used with EverGreen Hybrid Membrane GRP Catalyst.

Features:

Our product is available in 20kg tins and is intended for use with the EverGreen Hybrid Membrane, Flexi-GRP Primer, Liquid Catalyst 600g Chopped Strand Mat, along with any pertinent trims.



EverGreen Hybrid Membrane Standard/Winter Catalyst

EverGreen Hybrid Membrane GRP Liquid Catalyst is used to start the reactive curing process for EverGreen Hybrid Membrane Resin and Primer. Available in both 'Standard' and 'Winter' versions which means you can adjust for use all year round.



EverGreen Hybrid Membrane Flexi-GRP Primer

For use prior to waterproofing over existing roof surfaces or new OSB3 substrates.

Must be used with EverGreen Hybrid Membrane catalyst.

Features:

- Available in 5kg tins.
- Pigmented white to give clear visibility of application.



EverGreen Hybrid Membrane GRP Chopped Strand Matting

300g/450g/600g Chopped strand Mat (CSM) used to create a stronger membrane, giving a range of different EverGreen Hybrid Membrane guarantees.

Features:

- Consistent quality, thickness and strength.
- Rapid wet out and air release.
- Excellent formability for small radius moulds.
- Excellent mechanical properties.



EverGreen Hybrid Membrane GRP Woven Glass Tape

Woven tape is used to bandage the joints in square edged OSB3, join roof edge trims & corners together and cover/fill small gaps, producing a clean and neat finish. Simply cut the required length and wet out with EverGreen Hybrid Membrane Flexi-GRP onto the surface.

Features:

- Available in 50m rolls in 50mm, 75mm & 100mm widths.



Fix All

A high quality, single component joint sealant with high adhesive strength. In addition this product is both weatherproof and waterproof, which makes it ideal for the EverGreen Hybrid Membrane Flexi- GRP System.

For use with EverGreen Hybrid Membrane GRP Trims prior to mechanically fixing.



EverGreen Hybrid Membrane GRP Iron Silicate

Iron Silicate enables our EverGreen Hybrid Membrane Flexi-GRP system to be used for walkways and balconies creating an anti-slip finish.

Features:

- Available in 5kg, 10kg buckets and 25kg bags.



EverGreen Hybrid Membrane GRP Acetone

Used to clean uncured EverGreen Hybrid Membrane Primer and Flexi-GRP from brushes, rollers and other equipment. Please note this material is highly flammable. Available in 1, 5 or 25 litre packs.

GRP TOOLS & ACCESSORIES



Catalyst Dispensers 15ml & 80ml

Catalyst Measuring Cup 500ml

2.5, 5 & 10L Buckets



Paddle Rollers

Fin Rollers

Large Bubble Buster Roller

Resin Application Rollers

Roller Frame Only

Resin Roller Refills



Push Fit Roller Frame
(Available in 6", 7" & 10")

Topcoat Roller Refill
(velour) (Available in
6" & 10")
& Nylon Resin Roller
(Available in 6" & 10")

Telescopic Pole 80cm - 140cm
with Taper & Screw Cone



Wooden handled brushes
(Available in 2", 3" & 4")

Plastic handled brushes
(Available in 2", 3" &
4")



Disposable Gloves
Large box of 100.

Roofing and tool kits available, please ask for details

GRP ROOFING TRIMS

Our GRP Roofing Trims are manufactured in the UK using quality resin and glass fibre. All trims are finished in a light grey colour and cut to a 2.5m length, designed for ease of handling and to reduce waste.

EverGreen Hybrid Membrane trims have a high adhesion mat finish to the outer face providing a strong bond between the Trim and EverGreen Hybrid Membrane Flexi-GRP.

- Standard 2.5m length.
- Consistent weight and thickness.
- Easy jointing - simple overlap by 50mm.

EverGreen Hybrid Membrane GRP B240/B260 Trims

Raised edge trims are used to channel rainwater away from the edges to the guttering. Fascia should be pre-fitted with batten to ensure the trim is supported.

- B240 (100 x 105mm)
- B260 (130 x 125mm)

EverGreen Hybrid Membrane GRP A170/A200/A250 Drip Trims

These trims are fitted to the lowest point of the roof where water should flow into the gutter allowing for drainage.

- A170 (75 x 84mm)
- A200 (95 x 90mm)
- A200A (90 x 90mm) - same A200, but with drip return
- A250 (95 x 140mm)

Corner trims are used to neatly join and finish the roof trims and are designed to fit all depths as they can be cut to fit the trims being used.

• C1 Universal External Corner Trim -

forms a left or right hand corner.

Use with the "A" and "B" range of trims.

• C2 Fillet to Corner Trim -

are used where a flat roof meets an abutting wall.

Use with the "A" range, "B" range and "D260" trims.

• C3 Internal or External Fillet Corner Trims -

used as a preformed internal or external corner.

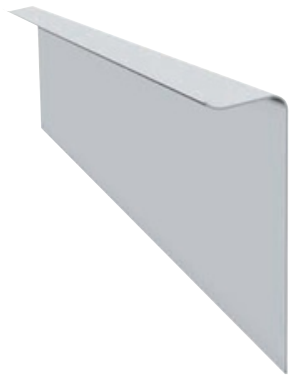
Use with a "D260" trim.

• C4 Universal Internal Corner Trim -

forms a left or right hand corner.

Use with the "A" and "B" range of trims.

Trim colour may vary from those illustrated.



EverGreen Hybrid Membrane C100/C150 Simulated Lead Flashing

Simulated lead flashing trims with two different depths - these are used to finish the D260 wall fillet, seal the chase with Fix-All Adhesive.

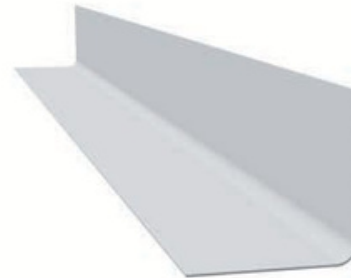
- C100 (35 x 100mm)
- C150 (35 x 150mm)



EverGreen Hybrid Membrane D260 Wall Fillet

Wall fillet is used up abutment walls allowing for expansion around the roof.

- D260 (120 x 60 x 80mm)



EverGreen Hybrid Membrane G150/G275 External 90° & H150/H275 Internal 90° Angle Trims

For use in areas such as walls and steps when the laminated surface sits flat to a perpendicular surface.

Finishing on the G trims is on the outer face.

Finishing on the H trims is on the inner face.

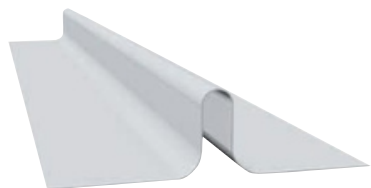
- G150 (75mm x 75mm)
- G275 (200mm x 75mm)
- H150 (75mm x 75mm)
- H275 (200mm x 75mm)



EverGreen Hybrid Membrane E280 Pre-formed Expansion Joint/Ridge Roll

Used on both the creation of expansion joint on roofs 50m² and above.

Trim colour may vary from those illustrated.



EverGreen Hybrid Membrane ER40/30 Pre-formed Rib Detail

Trim used to create raised rolled lead joint effect. • Use the C6 closures to cap the ends
• ER40/30 (50 x 40mm)



EverGreen Hybrid Membrane J380 35° - 50° Flexible Internal Angle

For use on internal angles between 35° and 50° from a flat surface.
• J380 (85 x 300mm)



EverGreen Hybrid Membrane C5 & C6 Closure Trims

• The C5 roof ridge closure is used to finish E280 trim.
• The C6 roof ridge closure is used to finish ER40/30 trim.

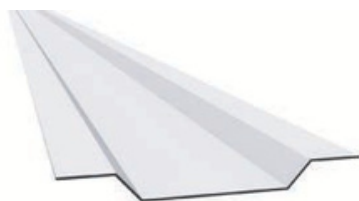


EverGreen Hybrid Membrane F300, F600 & F900 Flat Sheets

Preformed flat GRP rolls for use when waterproofing between flat and pitched roof trusses, as well as other areas shown in the trim guide.

- F300 (300mm x 20m roll)
- F600 (600mm x 20m roll)
- F900 (900mm x 20m roll)

Trim colour may vary from those illustrated.



EverGreen Hybrid Membrane G180 Gutter Trim & Expansion Joint

G180 Gutter trim is used for creating a drainage channel. The deck needs to be cut for the trim to sit in. The gutter trim is also used to create an expansion joint on areas larger than 50m².

- G180 (15 x 140mm)

Simple and fast installation with the EverGreen Hybrid Membrane GRP system and accessories

PREPARATION

What do i need?

Below is a guide to the EverGreen Hybrid Membrane Flexi-GRP products you should have before starting. Check the material and catalyst charts for calculating quantities needed.

Must-have components

Products for EverGreen Hybrid Membrane System
Here are the key products available for the EverGreen Hybrid Membrane System:

- EverGreen Hybrid Membrane Flexi-GRP
- EverGreen Hybrid Membrane Flexi-GRP Primer
- EverGreen Hybrid Membrane GRP Standard or Winter Catalyst
- EverGreen Hybrid Membrane GRP 600g CSM (Chopped Strand Mat)
- EverGreen Hybrid Membrane GRP with 75mm woven glass tape (other widths are also available)
- Replacement trims are also available for both new and existing roofs.



PREPARATION - PRIOR TO EverGreen Hybrid Membrane FLEXI-GRP INSTALLATION

Appraising/Examining type of installation

The development of EverGreen Hybrid Membrane Flexi-GRP now means that a range of existing flat roofs can potentially be waterproofed by using the EverGreen Hybrid Membrane system. This saves a substantial amount of time, materials and decreases the carbon footprint by reducing waste produced when fully replacing an existing built up roof. Please note that not all existing flat roofing structures will be suitable without remedy.

EverGreen Hybrid Membrane can also be used on new roofs where OSB3 has been installed.

Overlaying an existing roof – Appraising roof condition

Existing roofs need to be carefully examined prior to deciding if EverGreen Hybrid Membrane as an overlay system or a new installation is the right choice. Care must be taken to investigate and identify points of defect and potential failure and remedied before commencing the installation.

Whenever possible core samples should be taken to ascertain the condition of the existing structure as this forms part of the Materials Guarantee. In situations where the roof is completely saturated or sodden it is highly recommended that these areas are removed and replaced. This also applies to areas affected by decay or excessive wear. Surfaces must be structurally sound before overlaying an existing roof.

Please read this guide carefully to understand the types of roofs that can be overlaid. The EverGreen Hybrid Membrane system will perform and waterproof a range of surfaces but there can be a wide variety of seemingly similar materials that vary in both quality and manufacture. Always test a small area for adhesion before commencing with the main work. When examining the roof, any detailing such as up-stands, inlets, outlets, perimeter trims need to be checked to see if they are suitable or require replacement as failure to do so can lead to the overall failure of the EverGreen Hybrid Membrane system.

WATERPROOFING EXISTING ROOFS

Surface preparation - Waterproofing existing flat roofs

The key to long-term performance on any roof is preparing the surface correctly, the same is true for EverGreen Hybrid Membrane Flexi-GRP. Please read through all guidelines prior to using the EverGreen Hybrid Membrane system. This is to ensure that the necessary evaluation and preparation of surfaces have been carried out to the highest standard as detailed in this installation guide and good working practices.

Step 1 The vital part of the installation is to ensure that the surface and the substrate beneath is not sodden, deteriorated or wet. Laying on damp materials will lead to a failure of the EverGreen Hybrid Membrane system through lack of bond between materials.

Step 2 Check the moisture content of the underlying substrates by taking a core sample. Using a good quality moisture detector the reading should have a maximum content of 20% WME (wood measurement equivalent). Above this level, the moisture content is considered hazardous, especially with wood as this is the point wood starts to rot and will require further investigation.

Step 3 Surface water must be removed and it is recommended to address areas that show ponding as this will also pond on the finished surface once completed. Ponding may indicate that either the roof deck has started to fail, that the supporting trusses are bowed or that the original roof was not designed with sufficient fall in the first place. If the substrates are showing a higher than 20% WME reading then it must either be allowed to dry out naturally or the use of forced drying using warm air dryers. Direct flame drying should be avoided due to the risk of fire.

Step 4 All surfaces must have the following treatment prior to application (individual preparation set out in addition).

- Remove all loose surface materials such as chippings, any embedded chippings must be removed by mechanical means.
- All areas should be cleaned, removing dirt, debris, organic growth such as moss and lichen.
- NB: If areas contain asbestos, seek specialist advice as these area's should not be disturbed or mechanically cleaned due to the hazardous nature of asbestos roofing.
- Areas that have had organic growth should be treated with an antifungal spray or distilled vinegar can be used as a safe environmental alternative, allow moss and lichen to die back and remove with a stiff bristle broom or similar.

WATERPROOFING EXISTING ROOFS (cont).

Surface preparation - Waterproofing existing flat roofs (continued)

- **Felt** – Before you apply the EverGreen Hybrid Membrane system, remove damaged or badly decayed areas to ensure a sound surface is achieved. Blisters should be star cut, peeled back, dried then re-bonded to the substrate before further application. This also applies to loose felt if in good condition. Prime with EverGreen Hybrid Membrane Primer before applying the EverGreen Hybrid Membrane Flexi-GRP system.
- **Asphalt** – Areas with cracks above 5mm should be cleaned and made good with a suitable repair adhesive such as Fix-All. Areas that have blown need to be levelled with a suitable mortar repair compound. All repairs must properly cure before applying EverGreen Hybrid Membrane Primer followed by the EverGreen Hybrid Membrane Flexi-GRP system.
- **GRP/Fibreglass** – Remove any cracked flaking or loose topcoat by sanding back to a firm base. For best results and if the existing topcoat was applied less than twelve months before, it is recommended that the roof surface is lightly abraded. Prior to laying the EverGreen Hybrid Membrane Flexi-GRP system wipe the existing GRP roof thoroughly with EverGreen Hybrid Membrane Acetone. This should include any existing GRP trims as the trims require a uniform finish using EverGreen Hybrid Membrane Flexi-GRP. Primer is not required but would be recommended to achieve the strongest bond.
- **Concrete/Brick & Screed** – Smooth concrete should be lightly abraded with a wire brush, any cracked areas should be repaired with a suitable compound and allowed to fully cure. Remove any loose debris and ensure you have a clean solid surface to apply to. Wet areas must be dried before applying the EverGreen Hybrid Membrane Primer followed by the EverGreen Hybrid Membrane Flexi-GRP system. Application to fresh concrete/screed (under 30 days) is not recommended unless full cure of the concrete is achieved and an area tested before commencing work on the main area.

- **Metals** – EverGreen Hybrid Membrane Flexi-GRP can be applied (to small areas) on common metals used in general construction of a combined roof. Flexi-GRP should not be considered for laying onto all metal roofs. Do not overlay rusting metal, if it is not possible to remove/replace the affected area then a rust converter must be used, based on phosphoric acid and reinforced to ensure a sound surface to lay upon. Clean, abrade and acetone wipe prior to application of Flexi-GRP Primer, ensure PPE is correctly used when handling lead in particular. Use EverGreen Hybrid Membrane Flexi-GRP Primer prior to applying the EverGreen Hybrid Membrane Flexi-GRP.

NB:

All roof surfaces where instructed must be primed with EverGreen Hybrid Membrane primer before laying the EverGreen Hybrid Membrane system. Failure to do so could lead to system failure and invalidate the product/materials guarantee. Always test a small area for bond strength prior to the full installation.

OSB3 INSTALLATION GUIDE

Achieve Quick and Easy Installation with the EverGreen Hybrid Membrane Flexi-GRP System Green Composites offers a great solution for those seeking simple and fast installation with the EverGreen Hybrid Membrane Flexi-GRP System and its accompanying trims and accessories. To get started, visit our website at www.GreenComposites.co.uk to download the EverGreen Hybrid Membrane instruction manual and technical data sheets. However, before committing to using the system, it's essential to review Green Composites' installation guidelines to ensure you're familiar with how to lay the EverGreen Hybrid Membrane Flexi-GRP system. Take the time to familiarize yourself with the installation guide to ensure a successful EverGreen Hybrid Membrane experience every time.

A. Preparation

Step 1 Before starting make sure that the weather is forecast to be dry prior to installing the EverGreen Hybrid Membrane Flexi-GRP system. Ensure all areas around the roof liable to resin splashes/drips are covered or moved if possible, such as windows, vehicles etc.

Step 2 Remove any old roof coverings, chippings or rotten wood for over boarding or full replacement using 18mm OSB 3, T&G (Tongue and groove) is strongly recommended.

Step 3 Ideal temperature is above 7.5°C, it is possible to install at lower temperatures but always seek advice before doing so. Never install below 0°C.

Step 4 Carefully choose and replace/ install the correct trims required to ensure correct drainage etc. Please refer to trim installation section for detailed images.

Step 5 All materials should be stored suitably between 15-25°C before use.

Step 6 Use the material estimation guide to make sure you have everything you need to do the job.

Step 7 Check the deck/roof temperature using a laser infrared thermometer, prior to installing the EverGreen Hybrid Membrane Flexi-GRP system use the catalyst addition guide to calculate the correct amount/type of catalyst required.

Step 8 If your not sure of anything, stop and ask our technical team for help and guidance, we always recommend asking about our training and demonstration days to really see the product in action.



B. Preparing the deck

Like any good construction it's only as good as its foundations and the same is true for EverGreen Hybrid Membrane Flexi-GRP, please read through the guidelines below if you are preparing the deck or pass along to the contractor who is, so you can be sure you're ready to go.

Installing the EverGreen Hybrid Membrane Flexi-GRP System: A Step-by-Step Guide

Step 1: Inspect the Existing Roof Boards

Take a look at your current roof boards and determine whether they are suitable for your project. If they are rotten or warped, remove them. However, if they are still in good condition, you can overboard them. Before overboarding or laying a new deck, ensure that all existing roofing materials such as felt, bitumen, or single ply have been removed. It's crucial that the boards do not get exposed to rain or excess moisture before applying the EverGreen Hybrid Membrane Flexi-GRP system, as this could cause board movement and potential roof failure.

Note: If you're using 18mm Tongue & Groove OSB 3 boards, ensure that the gap of the tongue & groove is facing upwards when laying. If you're using square edge OSB 3, tape the joints using the 75mm EverGreen Hybrid Membrane GRP Woven Glass Tape.

Step 2 The boards must be laid 90° to the joists or existing boards ie across joists/boards and not in-line (See diagram 1) making sure there is sufficient fall built in to allow the surface to drain without standing water. When laying next to a wall allow a 25-40mm gap between the board and wall, this allows for the movement of the roof during hot and cold weather and avoids the excessive noises associated with poorly installed decks. Finish the board flush to the fascia and then stagger the next row of board with a minimum of 400mm board to start.

Step 3 Fix the boards with galvanised ringshank nails (recommended 63mm) to penetrate the joists by 40mm the fixings should be spaced 200mm apart. We recommend a powered nail gun to fix the nails in place as this makes the job considerably quicker and avoids damaging the ceiling below. Standard hammers can be used in areas that have no ceiling below, please ask about the correct fixings when installing a roof with insulation.

Step 4 It is vital to note that any one flat area above 50m² must include an expansion joint (see GRP Trim Installation Guide from page 18).



CATALYST ADDITION CHART FOR EverGreen Hybrid Membrane FLEXI-GRP PRIMER AND RESIN

Surface/EverGreen Hybrid Membrane Flexi-GRP Temperature Percentage Catalyst	28-35°C 1% Standard Catalyst	20-27°C 2% Standard Catalyst	12-19°C 3% Standard Catalyst	6-11°C 2% Winter Catalyst	0-5°C 3% Winter Catalyst*
Weight of EverGreen Hybrid Membrane Primer/Flexi-GRP	Weight or volume of catalyst (ml/g)				
1kg	10ml	20ml	30ml	20ml	30ml
2kg	20ml	40ml	60ml	40ml	60ml
3kg	30ml	60ml	90ml	60ml	90ml
4kg	40ml	80ml	120ml	80ml	120ml
5kg	50ml	100ml	150ml	100ml	150ml
6kg	60ml	120ml	180ml	120ml	180ml
7kg	70ml	140ml	210ml	140ml	210ml
8kg	80ml	160ml	240ml	160ml	240ml
9kg	90ml	180ml	270ml	180ml	270ml
10kg	100ml	200ml	300ml	200ml	300ml
15kg	150ml	300ml	450ml	300ml	450ml
18kg	180ml	360ml	540ml	360ml	540ml

Do's & Don't's

Best Practices for Adding Catalyst to EverGreen Hybrid Membrane Products

Here are some tips to ensure you get the most accurate catalyst addition when using EverGreen Hybrid Membrane Primer or EverGreen Hybrid Membrane Flexi-GRP:

- Always weigh the product in a bucket before adding the correct amount of catalyst using a dosimeter.
- Thoroughly stir every mix to ensure a streak-free and fully cured finish.
- In hot weather, never go below 1% addition of standard catalyst. If it's still too quick, mix up less product.
- Never use more than 3% of Winter Catalyst in cold weather as it can affect the system's performance.
- Remember that the longer you leave catalysed product in a bucket, the faster it will cure. Depending on the area you're waterproofing, it's suggested to catalyse and mix between 2-5kg to ensure the best working time is achieved.
- If the material has gelled and cannot be used, move it to a safe location away from flammable materials until it cools down, then dispose of it as solid waste.
- If you have any questions or concerns, please reach out to our technical support team for assistance.

* NB: Whilst EverGreen Hybrid Membrane Flexi-GRP can be used in cold/dry conditions any work should be completed and cured before nightfall or before temperatures fall sharply.

USING EverGreen Hybrid Membrane FLEXI-GRP PRIMER

Introducing EverGreen Hybrid Membrane Primer – The Ultimate Multi-Surface Product!

Looking for a high-performance adhesive for your roofing project? Look no further than EverGreen Hybrid Membrane Primer! This product is specifically designed to enhance adhesion between different surfaces and the EverGreen Hybrid Membrane Flexi-GRP system. Whether you're overlaying an existing membrane or applying to a new surface, EverGreen Hybrid Membrane Primer is your go-to solution.

Before starting, it's important to prepare the surface for the EverGreen Hybrid Membrane Flexi-GRP system. Please refer to the surface preparation section for detailed instructions.

To ensure optimal results, be sure to apply EverGreen Hybrid Membrane Primer under dry conditions – avoid applying on a wet or damp surface. Additionally, frequent monitoring of the weather is highly recommended prior to applying EverGreen Hybrid Membrane Primer or EverGreen Hybrid Membrane Flexi-GRP.

Here are some important things to keep in mind:

- EverGreen Hybrid Membrane Primer and EverGreen Hybrid Membrane Flexi-GRP use the same liquid catalyst, making it easier to calculate the amount of catalyst needed. Please refer to the Catalyst Addition Chart for the addition rate for both products.
- Be sure to measure the roof area and calculate the primer required using the rates and quantities guide on this page.
- Remember to account for extra product when coating or priming detailed areas, such as vertical walls and associated fixtures and fittings.
- Allow for approximately 10% wastage that may be lost during the mixing and application process.
- The working time can be easily adjusted depending on the weather conditions. Plan for 15-20 minutes per mix.
- Allow 40-60 minutes for the primer to cure before applying the EverGreen Hybrid Membrane Flexi-GRP system, which will take a further 40-60 minutes to start curing.
- It's not recommended to leave EverGreen Hybrid Membrane primer longer than 48 hours before applying the EverGreen Hybrid Membrane Flexi-GRP and chopped strand reinforced matting.

Coverage Rates & Quantities

Roof Size m²

Materials Usage Guide (NB guide does not account for materials lost in mixing or use of brushes/rollers etc)			
Roof Size m²	Smooth Surfaces 200g/168mL per m²	Medium Surfaces 250g/210mL per m²	Rough Surfaces 300g/252mL per m²
5	1kg	1.25kg	1.5kg
10	2kg	2.5kg	3kg
15	3kg	3.75kg	4.5kg
20	4kg	5kg	6kg
25	5kg	6.25kg	7.5kg
30	6kg	7.5kg	9kg
35	7kg	8.75kg	10.5kg
40	8kg	10kg	12kg
45	9kg	11.25kg	13.5kg
50	10kg	12.5kg	15kg
75	15kg	18.75kg	22.5kg
100	20kg	25kg	30kg

EverGreen Hybrid Membrane FLEXI-GRP COVERAGE GUIDE - REINFORCED WITH 300G, 450G OR 600G CSM

Coverage Rates & Quantities

Roof Size m2	300g Smooth surface 15 Year 1.5Kg/1.1L per m2	450g Smooth surface 20 Year 1.95Kg/1.4L per m2	600g Smooth surface 25 Year 2.4Kg/1.7L per m2	300g Medium surface 15 Year 1.65Kg/1.18L per m2	450g Medium surface 20 Year 2.18Kg/1.56L per m2	600g Medium surface 25 Year* 2.7Kg/1.93L per m2	300g Rough surface 15 Year 1.8Kg/1.29L per m2	450g Rough surface 20 Year 2.4Kg/1.71L per m2	600g Rough surface 25 Year 3Kg/2.14L per m2
5	7.5kg	9.75kg	12kg	8.25kg	10.9kg	13.5kg	9kg	12kg	15kg
10	15kg	19.5kg	24kg	16.5kg	21.8kg	27kg	18kg	24kg	30kg
15	22.5kg	29.25kg	36kg	24.75kg	32.7kg	40.5kg	27kg	36kg	45kg
20	30kg	39kg	48kg	33kg	43.6kg	54kg	36kg	48kg	60kg
25	37.5kg	48.75kg	60kg	41.25kg	54.5kg	67.5kg	45kg	60kg	75kg
30	45kg	58.5kg	72kg	49.5kg	65.4kg	81kg	54kg	72kg	90kg
35	52.5kg	68.25kg	84kg	57.75kg	76.3kg	94.5kg	63kg	84kg	105kg
40	60kg	78kg	96kg	66kg	87.2kg	108kg	72kg	96kg	120kg
45	67.5kg	87.75kg	108kg	74.25kg	98.1kg	121.5kg	81kg	108kg	135kg
50	75kg	97.5kg	120kg	82.5kg	109kg	135kg	90kg	120kg	150kg
60	90kg	117kg	144kg	99kg	130.8kg	162kg	108kg	144kg	180kg
65	97.5kg	126.75kg	156kg	107.25kg	141.7kg	175.5kg	117kg	156kg	195kg
70	105kg	136.5kg	168kg	115.5kg	152.6kg	189kg	126kg	168kg	210kg
75	112.5kg	146.25kg	180kg	123.75kg	163.5kg	200.5kg	135kg	180kg	225kg
80	120kg	156kg	192kg	132kg	174.4kg	216kg	144kg	192kg	240kg
85	127.5kg	165.75kg	204kg	140.25kg	185.3kg	229.5kg	153kg	204kg	255kg
90	135kg	175.5kg	216kg	148.5kg	196.2	243kg	162kg	216kg	270kg

NB: Coverage figure quoted should only be seen as a guide due to variances in surface type and waste when using buckets, brushes, rollers etc

APPLYING EverGreen Hybrid Membrane FLEXI-GRP

Introducing the EverGreen Hybrid Membrane Flexi-GRP System for Flat Roofing
The EverGreen Hybrid Membrane Flexi-GRP System is a revolutionary advancement in the use and application of traditional GRP/Fibreglass Systems. Specifically developed for flat roofing, it is capable of overlaying existing flat roofs, as well as new OSB3 decks. This innovative system not only provides long-term protection and weather resistance but also meets the highest fire rating available for flat roofing, BS476 Part 3/CEN/TS EN1187 when laid onto an OSB3 Deck, making it fully compliant with building regulations.

Waterproofing the Main Area of the Roof
Once the primer has been applied and cured, mix the recommended quantity (2kg) of EverGreen Hybrid Membrane Flexi-GRP to laminate the reinforced woven glass tape onto perimeter trims and corners. This will help you determine the working time required to laminate the main roof area with chopped strand mat (300g, 450g or 600g CSM), depending on the temperature. The EverGreen Hybrid Membrane Flexi-GRP system has a typical working/gel time of 20-30 minutes per mix. Avoid mixing a container that weighs more than 5kg, as it may cure in the container before it can be used.

Installing EverGreen Hybrid Membrane Flexi-GRP: A Step-by-Step Guide

Follow these simple steps to ensure a successful installation of EverGreen Hybrid Membrane Flexi-GRP:

- 1. Use the EverGreen Hybrid Membrane Flexi-GRP coverage guide to determine the amount of primer, Flexi-GRP, and catalyst required for the installation. The weight of the CSM and the surface you are applying it to will be taken into consideration. Ensure that you have adequate EverGreen Hybrid Membrane Catalyst and the appropriate grade for the time of year (Standard or Winter). Using heavier weight matting can increase the materials guarantee to 15, 20, or 25 years.**
- 2. Prepare the surface before installing the EverGreen Hybrid Membrane Flexi-GRP system. Lay the CSM in the direction of the roof's fall to facilitate drainage and avoid standing water. Lay the CSM in rows that are approximately 975mm wide, allowing for the feathered edge. Use the feathered edge to integrate the next row of CSM using a 50mm overlap. Start working from the outer perimeter, away from the main wall, and begin with the straight cut edge of the mat. Cut the rows of CSM before applying the Flexi-GRP to ensure maximum working time.**
- 3. Stir the EverGreen Hybrid Membrane primer and EverGreen Hybrid Membrane Flexi-GRP thoroughly in their original containers before pouring them into a measured bucket or scuttle. Use a plastic/wood paint stirrer or similar, ensuring that the stirrer is clean. Do not use an electrical stirrer/paddle mixer, as this could introduce excessive air into the mixture, leading to pinholes in the cured product. Weigh the products using portable battery-operated or hand scales for accuracy and consistent cure rate. Measure the correct amount of standard or winter EverGreen Hybrid Membrane GRP Catalyst using a catalyst dispenser/dosimeter and mix it into the container with a separate stirrer to avoid introducing catalysed material into the original container. Stir the catalyst thoroughly from the bottom of the container. Handle the catalyst with care and store in the shade when not in use. Wear the correct PPE, gloves, safety glasses, and a mask if desired.**
- 4. Mix EverGreen Hybrid Membrane Flexi-GRP in batches of 2-5kg lots, as per the calculated requirement. Use a medium pile blue stripped nylon roller to apply approximately 1/3rd of the mix required per m2 to the surface. Roll out the CSM into the EverGreen Hybrid Membrane Flexi-GRP and consolidate it with the same nylon roller to ensure there are no pockets of air and that the CSM is fully wet out. Use a bubble buster or fin consolidating roller on smooth surfaces and especially on new OSB3 decks. Apply the remaining material required per m2 with the same roller for a wet-on-wet installation.**

APPLYING EverGreen Hybrid Membrane FLEXI-GRP (CONT)

Applying the EverGreen Hybrid Membrane Flexi-GRP System - Step by Step Guide

Follow these easy steps to effectively apply the EverGreen Hybrid Membrane Flexi-GRP system:

1. Complete a row of the system, and choose whether to finish the row wet on wet, or move onto the next row for the best finish.
 2. Apply the EverGreen Hybrid Membrane Flexi-GRP system just as you did for the first row and use a roller to press the CSM down into it. For the next row, ensure that the feathered edge of the new roll is laid over at least 50mm onto the straight edge.
 3. Consolidate the joint with a nylon roller or a fin roller if your surface is smooth to achieve a consolidated joint.
 4. Repeat this process until you reach the end of the surface, such as a wall up stand or opposite side of the roof edge.
 5. Allow the surface to cure for 45-60 minutes (depending on weather conditions).
 6. Apply the finish coat across the entire surface, including perimeter trims, for the best aesthetic finish to the roof. However, both methods will achieve a fully waterproofed envelope once cured.
6. For area's that require an anti slip surface, such as walkways, balconies and terraces. You will need to apply Scangrit anti slip. First tape around the area/perimeter that requires the anti-slip, apply 300g per m2 of catalysed EverGreen Hybrid Membrane Flexi-GRP then broadcast by hand into the uncured EverGreen Hybrid Membrane Flexi-GRP and allow to cure. Remove the masking tape whilst the EverGreen Hybrid Membrane Flexi-GRP is still wet.

The other option is to mix the aggregate directly into the EverGreen Hybrid Membrane Flexi-GRP prior to catalysing (using 10-15% by weight). You then simply apply as the finishing layer.



GRP TRIMS AND ACCESSORIES GUIDE

Installing the GRP Trims

Green Composites GRP trims are essential for perimeter detailing and drainage and when replacing existing cracked and damaged detailing.

Step 1 Depending on the roof design, Green Composites GRP trims should be fixed to the perimeter. Before fixing drip/gutter trim. A support roof batten must be fixed level with the OSB3

boards or existing flat roof whilst a second roof batten is to be mechanically fixed 10mm lower than the apply a 6-8mm bead of Fix-All adhesive/sealer on the perimeter of the OSB 3 for the trim to bed in, use 13mm clout nails/staples to fix the trim into position. Firstly fix each end of the trim, then the middle and then in between with spacing of approx. 200mm between, note that trims have a matt surface and a gloss surface, the matt surface should always be used to overlay with the EverGreen Hybrid Membrane Flexi-GRP and chopped strand mat (CSM).

Step 2 When using drip trims (A170/A200/A250) it is recommended to use an electrical planer to remove 2mm of the OSB 3 at the perimeter to allow the trim to lay flush with the deck to prevent any drainage issues/ponding.



Drip Trim - A170/A200 or A250

Step 3 Apply the 75mm woven glass edging tape with catalysed EverGreen Hybrid Membrane Flexi-GRP. Approximately half on the trim edge and half on the OSB 3, in preparation for the EverGreen Hybrid Membrane Flexi-GRP and fibreglass layer. (See diagram right).

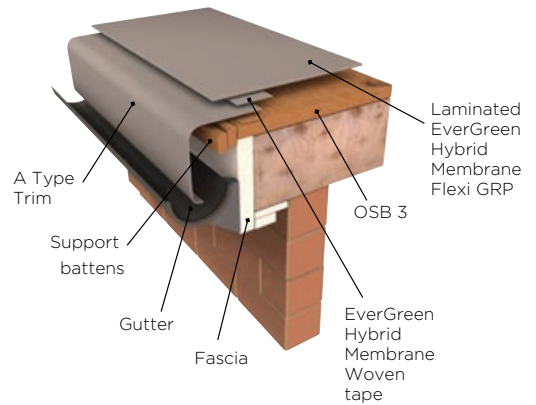
Step 4 Corners should be selected and used to ensure the best fit between drip trims, raised edge trims and where the trims terminate against the wall.

Step 5 Where the edge of the OSB3 meets a vertical wall a 25-40mm expansion gap is required. A GRP wall fillet trim must be used (D260) to bridge the expansion gap and form the up-stand. This is then finished off with the simulated lead flashing trim (C100) or (C150) which must be rebated into the brickwork/ mortar line by using an angle grinder to make a 35mm chase. This forms protection from water coming down the brickwork and behind the wall fillet. Seal the rebated (C100)/(C150) flashing trim into place using Fix-All adhesive/sealer. Do not bond the C100/C150 to the upstand as this allows the roof to ventilate.



75mm Woven GRP Tape

GRP TRIMS INSTALLATION GUIDE



A170/A200 & A250 Drip trims in situ

These trims should be fitted to the lowest point of the roof to allow flow of water into the gutter. Support battens should be used to create a gap from the gutter to stop the trim flexing out of position and to kick the drip trim into the middle of the gutter. The drip trims must be bonded to the support batten with FIX All adhesive. Clout nails should be used to fix the trim onto the OSB3 boards or into the existing flat roof deck. Do not nail the face of the trims in to the supporting battens. To create a continuous run, overlap the drip trims by 50mm onto the next and bond with FIX All Adhesive. Finish off by reinforcing the joints with EverGreen Hybrid Membrane woven glass tape and catalysed EverGreen Hybrid Membrane Flexi-GRP.



B240/B260 & B300 Raised edge trims in situ

The trims should be used to prevent water flowing over the edge of the roof with the use of a single batten to support the trim and prevent flexing out of position and to slightly kick the raised edge trim off the fascia board. The raised edge trims must be bonded to the single support batten with FIX All adhesive. Clout nails should be used to fix the trim onto the OSB3 boards or into the existing flat roof deck. Do not nail the face of the raised edge trim in to the supporting battens. To create a continuous run, overlap the trims by 50mm onto the next and bond with FIX All Adhesive. Finish off by reinforcing the joints with EverGreen Hybrid Membrane woven glass tape and catalysed EverGreen Hybrid Membrane Flexi-GRP.



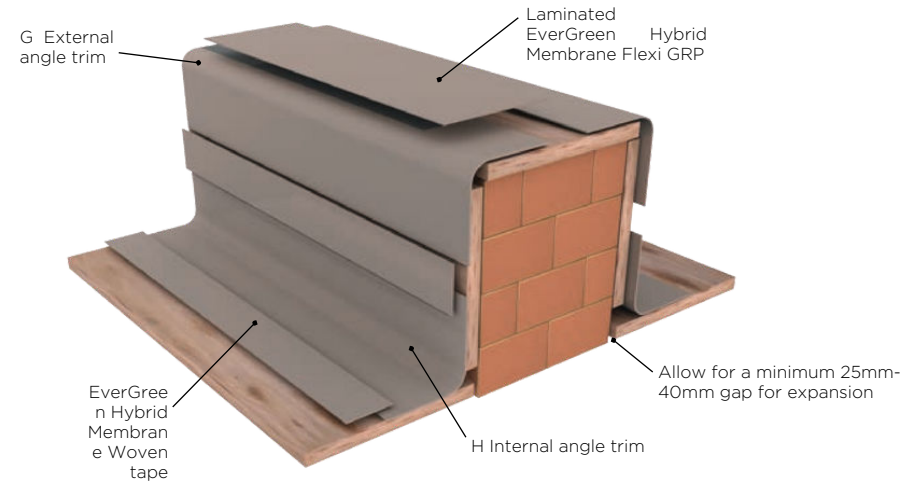
D260/C100 & C150 Wall fillet and simulated lead flashing in situ

D260 fillet trims should be fitted against walls to provide an up-stand and to allow for a minimum 25mm - 40mm gap between the OSB3 deck and the wall. Clout nails should be used to fix the trim to the OSB3 board or to the existing flat roof deck. Do not mechanically fix the D260 wall fillet trim into the brick wall. Finish off by reinforcing the joints EverGreen Hybrid Membrane woven glass tape and catalysed EverGreen Hybrid Membrane Flexi-GRP. Once the entire roof has been made watertight and is at the base coat stage. C type flashing trims should be used to complete a water tight finish, rebate the mortar line above the D260 trim to a depth of 35 - 45mm. The edge of the C type trim should be fitted into the rebate and sealed with Fix All adhesive. To create a continuous run, overlap by 50mm the first trim with the next and bond with Fix All adhesive. NB do not topcoat the C type trim as it is not required.



F300/F600 & F900 Flat flashing in situ

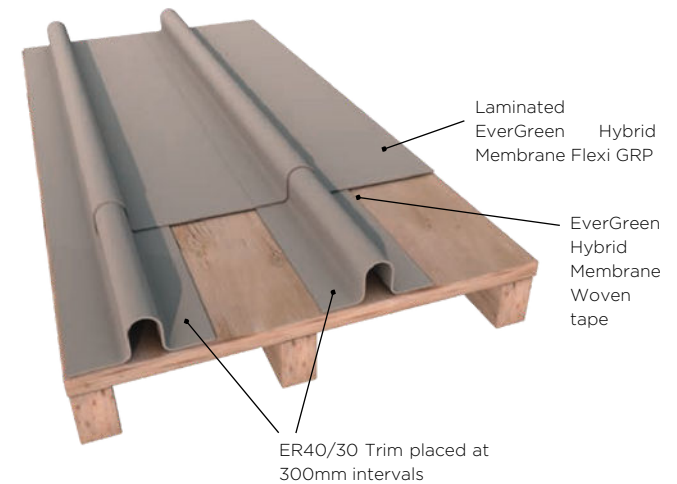
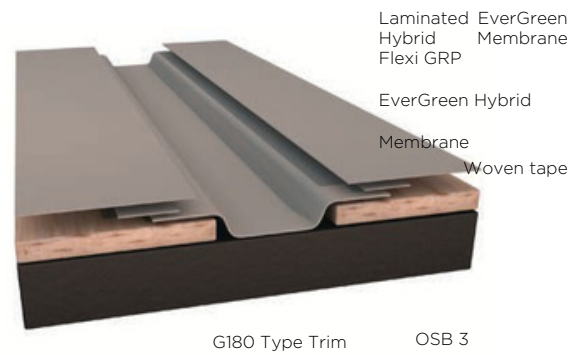
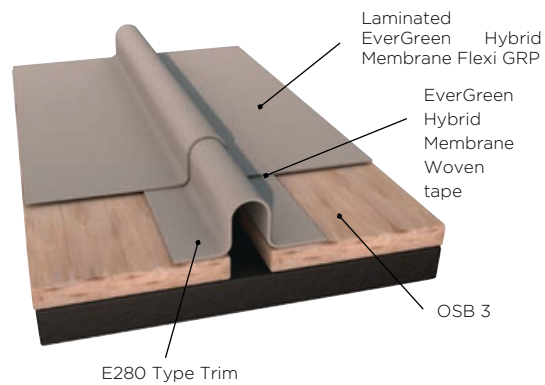
The F series flat flashing is used when a pitched roof meets a flat roof. Clout nails are used to pin the flat flashing to the deck and up the roof trusses which should run underneath the breathable roofing felt, tiles or slates. The F series flat flashing can also be used to form around vertical surfaces, air vents and protruding pipes. To create a continuous run, overlap the flat flashing trim by 50mm onto the next, bond with FIX All Adhesive and pin using clout nails. Finish off by reinforcing the joints with EverGreen Hybrid Membrane woven glass tape and EverGreen Hybrid Membrane catalysed Flexi-GRP.



G150 & G275 90° External angled trims and H150 & H275 90° Internal angled trims in situ

The G & H series of trims (internal and external) are used to form over a parapet wall, steps or similar features where waterproofing around square edge detail.

Clout nails should be used to fix the trim to the OSB3 board or to the existing deck. To create a continuous run, overlap the flat flashing by 50mm onto the next. Bond with FIX All Adhesive and pin using clout nails. Finish off by reinforcing the joints EverGreen Hybrid Membrane woven glass tape and catalysed EverGreen Hybrid Membrane Flexi-GRP.



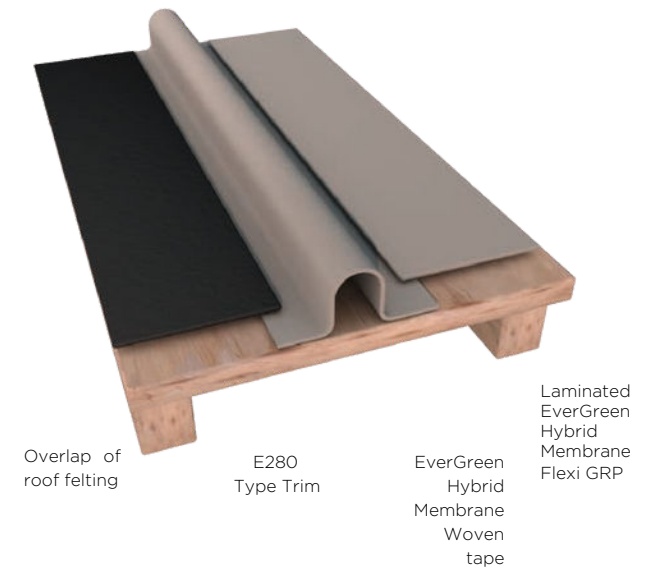
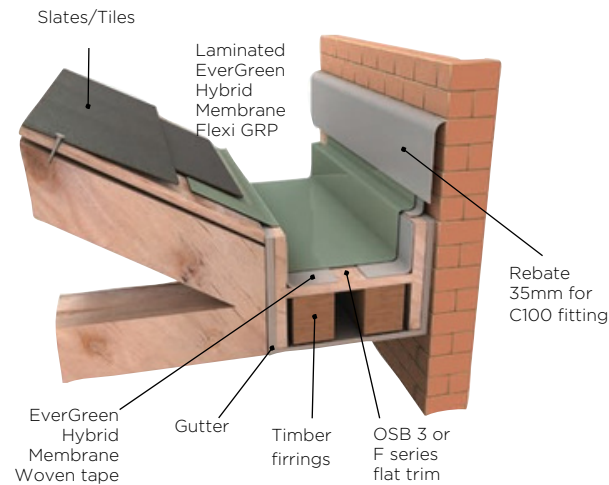
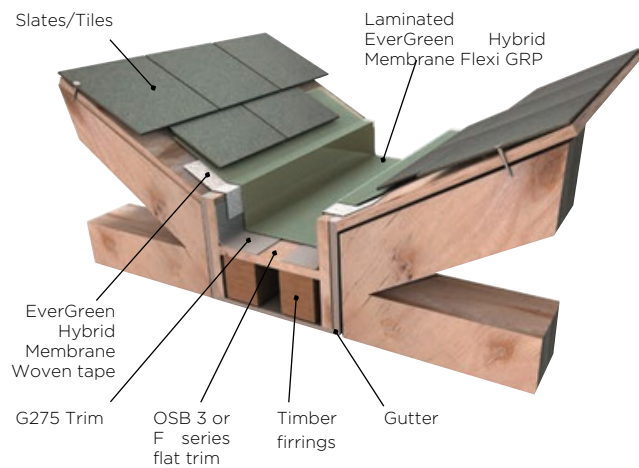
E280 & G180 Expansion joints in situ

Use either the E280 or G180 gully trim to form expansion joints on single formed areas over 50m². The appropriate width should be cut in the deck to accommodate the trim type used. Either can be used however the G180 gully trim gives the added benefit of channelling water for drainage. The E280 trim should be finished with a C5 closure. Clout nails should be used to fix the trim to the deck - do not nail the trim to the battens. To create a continuous run overlap by 50mm the first trim with the next and bond with FIX All adhesive. Finish off by applying the EverGreen Hybrid Membrane woven glass tape with catalysed EverGreen Hybrid Membrane Flexi-GRP. Allow to go hard and then lightly sand before finishing with catalysed EverGreen Hybrid Membrane Flexi-GRP.

ER40/30 Pre-Formed Rib detail in situ

The ER40/30 trim is used to create the simulation of raised lead roll effect joints. Clout nails should be used to fix the trim to the deck - do not nail the trim to the battens. To create a continuous run overlap by 50mm the first trim with the next and bond with FIX All adhesive. Finish off by applying the EverGreen Hybrid Membrane woven glass tape with catalysed EverGreen Hybrid Membrane Flexi-GRP.

Allow to go hard and then lightly sand before finishing with catalysed EverGreen Hybrid Membrane Flexi-GRP. Use C6 closures to finish the ends.

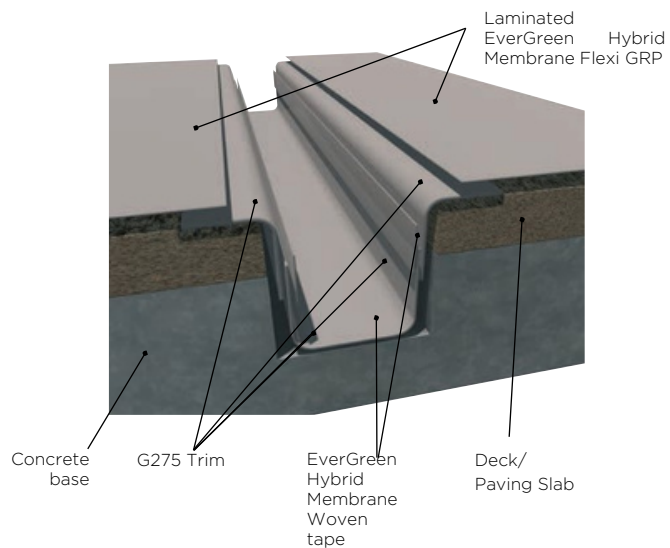


Repairing box gutters within pitched roofs and up against walls

To raise the slates/tiles lay a OSB 3 the length of the roof and then use cut lengths into the box gutter supported by firrings to create a surface to form a sealed surface with the appropriate trims and laminated GRP. Clout nails should be used to fix the trim to the deck - do not nail the trim to the battens. To create a continuous run overlap by 50mm the first trim with the next and bond with FIX All adhesive. Finish off by reinforcing the joints with EverGreen Hybrid Membrane woven glass tape and EverGreen Hybrid Membrane catalysed Flexi-GRP.

E280 Pre-Formed Rib to form a joint to a felt roof in situ

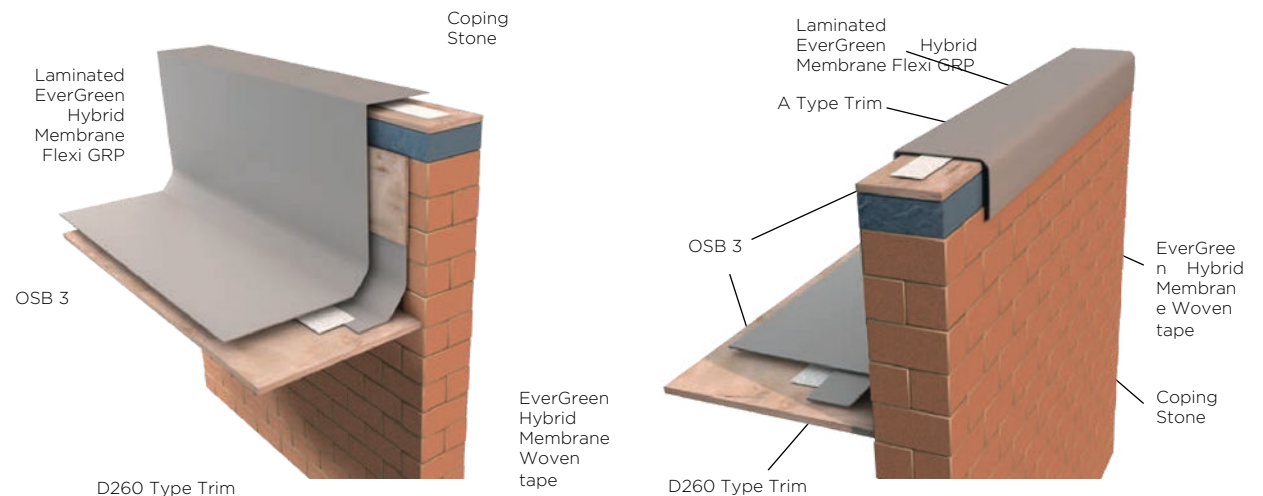
The E280 can be also used to form a joint between an existing felt roof and the GRP roof, by lifting the adjoining felt and bond the trim with Fix-All adhesive both to the felt and the deck, use an additional bead where the lip of the felt meets the trim to form a watertight seal. Clout nails should be used to fix the trim to the deck. To create a continuous run overlap by 50mm the first trim with the next and bond with FIX All adhesive. Finish off by reinforcing the joints with EverGreen Hybrid Membrane woven glass tape and EverGreen Hybrid Membrane catalysed Flexi-GRP. Use C5 closures to finish the ends.



G275 Trim to form gulley detail in situ

Use the G275 to form the shoulders of the gutter and the base of the gulley, fix with nails if boarded and use Fix-All adhesive in both instances if bonding to concrete. Tape all joints to ensure a strong gulley.

To create a continuous run overlap by 50mm the first trim with the next and bond with FIX All adhesive. Finish off by reinforcing the joints with EverGreen Hybrid Membrane woven glass tape and EverGreen Hybrid Membrane catalysed Flexi-GRP.



Forming GRP over parapet wall with coping stone in situ

To ensure a fully sealed system is achieved when laying roofs with parapet walls it is strongly advised to form the GRP up the vertical of the wall over the coping stone and terminating in a A type drip trim

Lay the GRP in the normal manner using a D260 upstand then use the F series flashing up the wall and an A type drip trim to finish the drop on the back face of the parapet. Clout nails should be used to fix the trim to the deck - do not nail the trim to the battens. To create a continuous run overlap by 50mm the first trim with the next and bond with FIX All adhesive. Finish off by reinforcing the joints with EverGreen Hybrid Membrane woven glass tape and EverGreen Hybrid Membrane catalysed Flexi-GRP.

FREQUENTLY ASKED QUESTIONS

Once correctly installed, the EverGreen Hybrid Membrane Flexi-GRP system will remain watertight and look great for many years. The following Q&A's look to answer some of the common questions and highlight potential installation pitfalls to avoid.

1. Does the weather/temperature affect EverGreen Hybrid Membrane Flexi-GRP when installing?

- Yes, high temperature and adverse weather are main reasons that liquid roof installations can fail, so follow these steps to avoid problems.
- Always check local weather forecast.
- In the summer avoid using product above 35°C and in winter below 5°C check the temperature of the deck and materials with an infrared thermometer if unsure.
- Keep materials at an ambient temperature and avoid either leaving outside in cold/sun before commencing work (ideally around 15°C for best performance).
- Avoid catalysing large amounts of EverGreen Hybrid Membrane primer or Flexi-GRP. Ideally 1-2kg for EverGreen Hybrid Membrane Primer and 2-5kg max for EverGreen Hybrid Membrane Flexi-GRP. This avoids the product being incorrectly mixed when catalysing (leading to undercure or uncured streaks, also this will give you the best working time required and avoid having to rush due to mixed product curing in the bucket, leading to costly waste.
- Always avoid the surface/boards from getting wet, NEVER lay onto wet/damp surfaces, if it rains whilst installing always cover.
- Don't apply the EverGreen Hybrid Membrane Flexi-GRP or Flexi-GRP Primer at the height of a hot day (30+ degrees c) in direct sunlight and avoid applying in winter after 3pm as it will take longer to cure as temperatures drop quickly and potentially remain tacky.

2. The EverGreen Hybrid Membrane Flexi-GRP is staying tacky and not going hard or I have streaks of soft areas?

- It is essential you always add Catalyst to every mix, get into a routine of double checking that you've added the catalyst and mixed it thoroughly, most issues are due to the incorrect % addition, not fully mixing to the bottom of the container or forgetting to add catalyst in before applying. Never confuse Acetone cleaner for catalyst. Also always use weight as a measure and not volume i.e litres, as this will under calculate the amount of catalyst required.

To make sure you have the best mix you can pour half of your full mix (ie 2.5kg if mixing a 5kg batch of EverGreen Hybrid Membrane Flexi-GRP) adding the correct amount of catalyst for the full mix then pour in the remaining 2.5kg and stir thoroughly. This means the catalyst is more evenly dispersed in the mix and not splashed up the sides of the container when poured on top.

3. The EverGreen Hybrid Membrane Primer/Flexi-GRP has gelled or hardened in the bucket before I could use it?

- This is a common problem if either adding too much catalyst or not changing it to suit the temperature or you have mixed too much in one go, the more you mix the hotter it gets if left in the bucket. Never mix a full keg.

4. There are white fibres of the chopped strand mat showing?

- This is due to not applying the correct amount of EverGreen Hybrid Membrane Flexi-GRP and 'wetting' out of the CSM fully, always ensure that all fibres are well coated with resin and consolidated with the paddle or fin roller before laying the next row.

5. There are windows, vehicles or vegetation close to the roof, what should I do?

- Try to cover any area that may be affected by spills, splashes or drips with polythene sheeting or similar, when using the paddle/fin roller vigorously this can lead to resin spray that can go beyond the perimeter of the roof. Work the roller steadily and systematically to avoid this and if you do get any liquid on surfaces it can be wiped clean with a clean cloth with a small amount of acetone on. Hardened material will bond to a lot of surfaces and will require mechanical removal, so this is best avoided.

6. There is standing water/ponding on the roof?

- The roof has either not been fitted with adequate fall to allow for drainage or the boards have been laid incorrectly, ponding doesn't affect the performance of the roof but can be unsightly and should be avoided.

For all technical enquires please call 01604-781702 or email info@GreenComposites.com



ANCILLARY PRODUCTS

PADDLE ROLLERS	
CODE	DESCRIPTION
KT05015PR	50mm x 15mm PADDLE ROLLER
KT05021PR	50mm x 21mm PADDLE ROLLER
KT05040PR	50mm x 40mm PADDLE ROLLER
KT07015PR	70mm x 15mm PADDLE ROLLER
KT07021PR	70mm x 21mm PADDLE ROLLER
KT07040PR	70mm x 40mm PADDLE ROLLER
KT10015PR	100mm x 15mm PADDLE ROLLER
KT10021PR	100mm x 21mm PADDLE ROLLER
KT10040PR	100mm x 40mm PADDLE ROLLER
KT14015PR	140mm x 15mm PADDLE ROLLER
KT14021PR	140mm x 21mm PADDLE ROLLER
KT14040PR	140mm x 40mm PADDLE ROLLER
KT18021PR	180mm x 21mm PADDLE ROLLER
KT18040PR	180mm x 40mm PADDLE ROLLER
KT22521PR	225mm x 21mm PADDLE ROLLER
KT22540PR	225mm x 40mm PADDLE ROLLER

STEEL BOLT ROLLERS	
CODE	DESCRIPTION
KT05010SBR	50mm x 10mm STEEL BOLT ROLLER
KT05015SBR	50mm x 15mm STEEL BOLT ROLLER
KT07010SBR	70mm x 10mm STEEL BOLT ROLLER
KT07015SBR	70mm x 15mm STEEL BOLT ROLLER
KT10010SBR	100mm x 10mm STEEL BOLT ROLLER
KT10015SBR	100mm x 15mm STEEL BOLT ROLLER
KT10020SBR	140mm x 20mm STEEL BOLT ROLLER

ALUMINIUM FINNED ROLLERS	
CODE	DESCRIPTION
KT03512AFR	35mm x 12mm ALUMINIUM FINNED ROLLER
KT07012AFR	70mm x 12mm ALUMINIUM FINNED ROLLER
KT07022AFR	70mm x 22mm ALUMINIUM FINNED ROLLER
KT07030AFR	70mm x 30mm ALUMINIUM FINNED ROLLER
KT10012AFR	100mm x 12mm ALUMINIUM FINNED ROLLER
KT10022AFR	100mm x 22mm ALUMINIUM FINNED ROLLER
KT14012AFR	140mm x 12mm ALUMINIUM FINNED ROLLER
KT14022AFR	140mm x 22mm ALUMINIUM FINNED ROLLER

PLASTIC FINNED ROLLERS	
CODE	DESCRIPTION
KT05015PFR	50mm x 15mm PLASTIC FINNED ROLLER
KT05020PFR	50mm x 20mm PLASTIC FINNED ROLLER
KT07015PFR	70mm x 15mm PLASTIC FINNED ROLLER
KT07020PFR	70mm x 20mm PLASTIC FINNED ROLLER
KT10015PFR	100mm x 15mm PLASTIC FINNED ROLLER
KT10020PFR	100mm x 20mm PLASTIC FINNED ROLLER
KT14020PFR	140mm x 20mm PLASTIC FINNED ROLLER

WASHER ROLLERS	
CODE	DESCRIPTION
KT05015WR	50mm x 15mm WASHER ROLLER
KT10015WR	100mm x 15mm WASHER ROLLER
KT14015WR	140mm x 15mm WASHER ROLLER

WASHER ROLLER

BRISTLE ROLLERS, FRAMES & REFILLS	
CODE	DESCRIPTION
KT05022BRC	50mm x 22mm BRISTLE ROLLER COMPLETE
KT10022BRC	100mm x 22mm BRISTLE ROLLER COMPLETE
KT15022BRC	150mm x 22mm BRISTLE ROLLER COMPLETE
KT05022BRR	50mm x 22mm BRISTLE ROLLER REFILL
KT10022BRR	100mm x 22mm BRISTLE ROLLER REFILL
KT15022BRR	150mm x 22mm BRISTLE ROLLER REFILL
KT05022BRF	50mm x 22mm BRISTLE ROLLER FRAME
KT10022BRF	100mm x 22mm BRISTLE ROLLER FRAME
KT15022BRF	150mm x 22mm BRISTLE ROLLER FRAME

BUBBLE BUSTER ROLLERS	
CODE	DESCRIPTION
KT05021BBR	50mm x 21mm BUBBLE BUSTER ROLLER
KT05040BBR	50mm x 40mm BUBBLE BUSTER ROLLER
KT07021BBR	70mm x 21mm BUBBLE BUSTER ROLLER
KT07040BBR	70mm x 40mm BUBBLE BUSTER ROLLER
KT10021BBR	100mm x 21mm BUBBLE BUSTER ROLLER
KT10040BBR	100mm x 40mm BUBBLE BUSTER ROLLER
KT14021BBR	140mm x 21mm BUBBLE BUSTER ROLLER
KT14040BBR	140mm x 40mm BUBBLE BUSTER ROLLER
KT22521BBR	225mm x 21mm BUBBLE BUSTER ROLLER
KT22540BBR	225mm x 40mm BUBBLE BUSTER ROLLER

DISC ROLLERS	
CODE	DESCRIPTION
KT0001ADM	ALUMINIUM DISC ROLLER



FIXED RESIN ROLLER & FRAME	
CODE	DESCRIPTION
KT003SPRF	3" SINGLE ARM POLYESTER ROLLER & FRAME
KT006SPRF	6" SINGLE ARM POLYESTER ROLLER & FRAME
KT007SPRF	7" SINGLE ARM POLYESTER ROLLER & FRAME
KT009SPRF	9" SINGLE ARM POLYESTER ROLLER & FRAME

KT003SRF 3" SINGLE ARM ROLLER FRAME
 KT006SRF 6" SINGLE ARM ROLLER FRAME
 KT007SRF 7" SINGLE ARM ROLLER FRAME
 KT009SRF 9" SINGLE ARM ROLLER FRAME

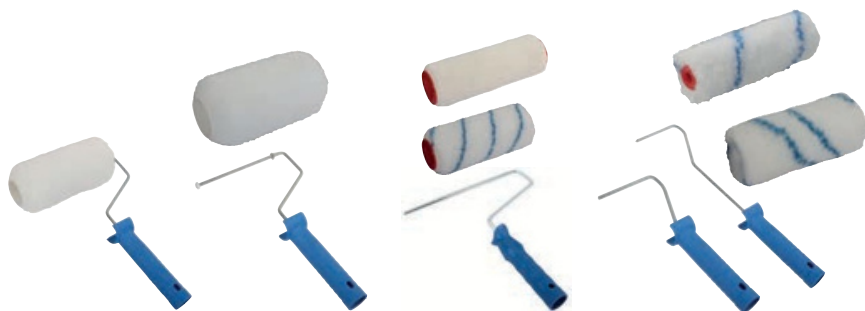
KT003PRR 3" SINGLE ARM POLYESTER ROLLER REFILL
 KT006PRR 6" SINGLE ARM POLYESTER ROLLER REFILL
 KT007PRR 7" SINGLE ARM POLYESTER ROLLER REFILL
 KT009PRR 9" SINGLE ARM POLYESTER ROLLER REFILL

KT006PFRF 6" PUSH FIT ROLLER FRAME
 KT007PFRF 7" PUSH FIT ROLLER FRAME
 KT010PFRF 10" PUSH FIT ROLLER FRAME

13mm Nylon Medium Pile woven fabric Resin/Topcoat Refills	
KT0530NRR	5" NYLON ROLLER 30mm CORE
KT0641NRR	6" NYLON ROLLER 41mm CORE
KT0748NRR	7" NYLON ROLLER 48mm CORE
KT1048NRR	10" NYLON ROLLER 48mm CORE
4mm Velour Short Pile woven fabric Topcoat/Gelcoat Refills	
KT0530VRR	5" VELOUR ROLLER 30mm CORE
KT0641VRR	6" VELOUR ROLLER 41mm CORE
KT0748VRR	7" VELOUR ROLLER 48mm CORE
KT1048VRR	10" VELOUR ROLLER 48mm CORE
Roller Frames (To fit 4" Nylon & 4mm Velour Refills)	
KT0410MR	4" MINI ROLLER FRAME 10"
F	LONG 4" MINI ROLLER FRAME
4" Nylon Refills 16" LONG	
KT0415NMR	10pk 4" NYLON MINI ROLLER 15mm CORE
KT0430NMR	10pk 4" NYLON MINI ROLLER 30mm CORE
4" Velour Refills 30mm CORE	
KT0415VM	10pk 4" VELOUR MINI ROLLER 15mm CORE
R	10pk 4" VELOUR MINI ROLLER 30mm CORE

KT0415VM 30mm CORE
 R

LAMINATING, GELCOAT & TOPCOAT BRUSHES	
CODE	DESCRIPTION
Synthetic Laminating Brushes (High Quality Gelcoat Brush)	
KT005GCB	0.5"
KT010GCB	1"
KT015GCB	1.5"
KT020GCB	2"
KT030GCB	3"
KT040GCB	4"
Natural White Bristle Laminating Brushes - plastic handle	
KT005NLP	0.5"
KT010NLP	1"
KT015NLP	1.5"
KT020NLP	2"
KT030NLP	3"
KT040NLP	4"
Natural White Bristle Laminating Brushes - wooden handle	
KT005NLW	0.5"
KT010NLW	1"
KT015NLW	1.5"
KT020NLW	2"
KT030NLW	3"
KT040NLW	4"
KT100PGL	Disposable Powdered Gloves (Box 100) - Large
KT100PGXL	Disposable Powdered Gloves (Box 100) - X Large



2.5Ltr White Plastic Bucket (no lid)

5Ltr White Plastic Bucket

Sanding Head FREX002



Extension Pole





25 YEAR GUARANTEE

The Best Flexible Roofing Option for Professionals: EverGreen Hybrid Membrane Flexi-GRP

Discover the EverGreen Hybrid Membrane: A High-Performance Solution for Your Roofing Needs

If you're looking for a resilient roofing solution, the EverGreen Hybrid Membrane is an excellent choice. Here are some of the product's key features:

- Materials guarantee for 25 years (600g CSM) when installed correctly. Please contact us for further details on guarantee conditions.
- Single, flexible resin that eliminates the need for separate topcoat and base.
- Wet-on-wet application onto multiple surfaces, including Felt, OSB3, GRP, concrete, and asphalt.
- Quick application and various cure times to suit the environment, allowing you and your customers to save time and money.
- Cold applied, no hot works or open flame risks.
- Class-beating fire rating, achieving both BS 476-part 3 test: EXT.F.AA; EN 1187 test 4 – BROOF(t4) as a flat roofing system applied to OSB3.
- Superior 'wet-out' of fiberglass reinforcement (CSM).
- Liquid catalyst system that removes the need to add other products to speed up or slow down the cure.
- EverGreen Hybrid Membrane/TekShield branded ancillaries that can be carried for use on both EverGreen Hybrid Membrane and TekShield systems, eliminating the need for different ancillaries such as Catalysts, CSM, tape, etc.
- Reduces the need for a full roof replacement where suitable, reducing the environmental impact and cost of waste disposal.

Choose the EverGreen Hybrid Membrane for a reliable and eco-friendly roofing solution that will stand the test of time.

***Please see full guarantee's for conditions**



NB: Please refer to the Guarantee certificates for full term and condition prior to purchasing to ensure conditions are met to avoid invalidation.